

MOUNTING AND OPERATING INSTRUCTIONS



EB 6132 EN

Translation of original instructions



Type 6132 p/i Converter
For four-wire connection

Edition August 2021



Note on these mounting and operating instructions

These mounting and operating instructions assist you in mounting and operating the device safely. The instructions are binding for handling SAMSON devices. The images shown in these instructions are for illustration purposes only. The actual product may vary.

- For the safe and proper use of these instructions, read them carefully and keep them for later reference.
- If you have any questions about these instructions, contact SAMSON's After-sales Service (aftersaleservice@samsongroup.com).



Documents relating to the device, such as the mounting and operating instructions, are available on our website at www.samsongroup.com > **Service & Support > Downloads > Documentation.**

Definition of signal words

DANGER

Hazardous situations which, if not avoided, will result in death or serious injury

WARNING

Hazardous situations which, if not avoided, could result in death or serious injury

NOTICE

Property damage message or malfunction

Note

Additional information

Tip

Recommended action

1	Safety instructions and measures	1-1
1.1	Notes on possible severe personal injury	1-3
1.2	Notes on possible personal injury	1-4
1.3	Notes on possible property damage	1-4
2	Markings on the device	2-1
2.1	Nameplate	2-1
2.2	Article code	2-1
3	Design and principle of operation	3-1
3.1	Technical data	3-2
3.1.1	Dimensions in mm	3-3
4	Shipment and on-site transport	4-1
4.1	Accepting the delivered goods	4-1
4.2	Removing the packaging from the device	4-1
4.3	Transporting the device	4-1
4.4	Storing the device	4-1
5	Installation	5-1
5.1	Installation conditions	5-1
5.2	Preparation for installation	5-1
5.3	Mounting the converter	5-1
5.4	Adjusting the output signal	5-1
5.5	Electrical connection	5-2
5.6	Pneumatic connection	5-2
6	Start-up	6-1
7	Operation	7-1
8	Malfunction	8-1
8.1	Troubleshooting	8-1
8.2	Emergency action	8-1
9	Servicing	9-1
9.1	Tuning zero and span	9-1
9.2	Periodic inspection and testing of the converter	9-2
10	Decommissioning	10-1
11	Removal	11-1
12	Repairs	12-1
12.1	Returning devices to SAMSON	12-1

Contents

13	Disposal	13-1
14	Certificates	14-1
15	Annex	15-1
15.1	After-sales service	15-1

1 Safety instructions and measures

Intended use

The Type 6132 p/i Converter converts a pneumatic signal into a standardized electric signal. It is especially used as an intermediate element between pneumatic and electric control and measuring equipment.

The input variable is a pneumatic signal and the output variable an electric DC current signal or DC voltage signal. The pneumatic input signal from 0.2 to 1 bar is converted into an electric DC signal from 0/4 to 20 mA or a DC voltage signal from 0/2 to 10 V.

The device is designed to operate under exactly defined conditions. Therefore, operators must ensure that the device is only used in applications where the operating conditions correspond to the technical data. In case operators intend to use the device in other applications or conditions than specified, contact SAMSON.

SAMSON does not assume any liability for damage resulting from the failure to use the device for its intended purpose or for damage caused by external forces or any other external factors.

➔ Refer to the technical data and nameplate for limits and fields of application as well as possible uses.

Reasonably foreseeable misuse

The device is not suitable for the following applications:

- Use outside the limits defined by the technical data

Furthermore, the following activities do not comply with the intended use:

- Use of non-original spare parts
- Performing service and repair work not described

Qualifications of operating personnel

The device must be mounted, started up, serviced and repaired by fully trained and qualified personnel only; the accepted industry codes and practices must be observed. According to these mounting and operating instructions, trained personnel refers to individuals who are able to judge the work they are assigned to and recognize possible hazards due to their specialized training, their knowledge and experience as well as their knowledge of the applicable standards.

Safety instructions and measures

Personal protective equipment

No personal protective equipment is required for the direct handling of the device.

We recommend checking the hazards posed by the ambient conditions at the site of installation.

- Wear hearing protection when working near the valve
- Hard hat
- Safety harness when working at height
- Safety footwear, ESD (electrostatic discharge) footwear, if necessary
- Check with the plant operator for details on further protective equipment.

Revisions and other modifications

Revisions, conversions or other modifications of the product are not authorized by SAMSON. They are performed at the user's own risk and may lead to safety hazards, for example. Furthermore, the product may no longer meet the requirements for its intended use.

Warning against residual hazards

To avoid personal injury or property damage, operators and operating personnel must prevent hazards by taking appropriate precautions. Plant operators and operating personnel must observe all hazard statements, warning and caution notes in these mounting and operating instructions.

Responsibilities of the operator

Operators are responsible for proper use and compliance with the safety regulations. Operators are obliged to provide these mounting and operating instructions as well as the referenced documents to the operating personnel and to instruct them in proper operation. Furthermore, operators must ensure that operating personnel or third parties are not exposed to any danger.

Responsibilities of operating personnel

Operating personnel must read and understand these mounting and operating instructions as well as the referenced documents and observe the specified hazard statements, warnings and caution notes. Furthermore, operating personnel must be familiar with the applicable health, safety and accident prevention regulations and comply with them.

Referenced standards, directives and regulations

Devices with a CE marking fulfill the requirements of the Directives (see the 'Certificates' section):

- 2014/30/EU
- 2014/35/EU
- 2011/65/EU

Devices with an EAC marking fulfill the requirements of the Regulations (see the 'Certificates' section):

- TR CU 004/2011
- TR CU 020/2011

Referenced documentation

The following documents apply in addition to these mounting and operating instructions:

- Mounting and operating instructions of the upstream pneumatic components
- Mounting and operating instructions of the downstream electric measuring and control equipment

1.1 Notes on possible severe personal injury

DANGER

Risk of fatal injury due to electric shock (devices with 230 V supply voltage).

- ➔ Before connecting wiring, performing any work on the device or opening the device, disconnect the supply voltage and protect it against unintentional reconnection.
- ➔ Only use power interruption devices that are protected against unintentional reconnection of the power supply.

1.2 Notes on possible personal injury

WARNING

Risk of personal injury through incorrect operation, use or installation as a result of information on the device being illegible.

Over time, markings, labels and nameplates on the device may become covered with dirt or become illegible in some other way. As a result, hazards may go unnoticed and the necessary instructions not followed. There is a risk of personal injury.

- Keep all relevant markings and inscriptions on the device in a constantly legible state.
- Contact our after-sales service to renew damaged, missing or incorrect nameplates or labels.

1.3 Notes on possible property damage

NOTICE

Risk of device damage due to failure to meet air quality requirements.

Insufficient air quality at the input of the converter can damage components and seals inside the device.

- Only use air that is dry and free of oil and dust.
- Observe the air quality according to ISO 8573-1: 2001.
- Blow through all air pipes and hoses thoroughly before connecting them.

Risk of device damage due to the maximum pressure at the converter input being exceeded.

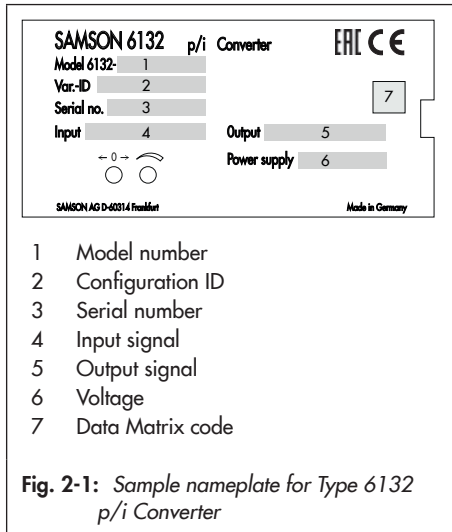
The maximum pressure at the converter input is restricted. A pressure higher than the maximum permissible pressure may damage the device.

- Make sure that the pressure at the input does not exceed the maximum permissible pressure of 2 bar.

2 Markings on the device

2.1 Nameplate

The nameplates shown were up to date at the time of publication of this document. The nameplate on the device may differ from the one shown.



Location of the nameplate

The nameplate is located at the front of the device.

2.2 Article code

Type 6132-	x	x	x	x	x	x
Explosion protection						
Without	0					
Version						
Rail-mounting unit	4	0				
Voltage						
24 V DC				1		
230 V AC				2		
115 V AC				3		
24 V AC				4		
Input						
0.2 to 1 bar					1	
3 to 15 psi					2	
Output ¹⁾						
0 to 20 mA						0
4 to 20 mA						1
0 to 10 V						2
2 to 10 V						3

¹⁾ mA or V and ranges can be selected using switches inside the device

3 Design and principle of operation

The Type 6132 p/i Converter is used as an intermediate element between pneumatic and electric control and measuring equipment. The input variable is a pneumatic signal and the output variable an electric DC current signal or DC voltage signal. The pneumatic input signal from 0.2 to 1 bar is converted into an electric DC signal from 0/4 to 20 mA or a DC voltage signal from 0/1 to 5 V or 0/2 to 10 V.

Principle of operation (see Fig. 3-1)

A capacitive ceramic pressure sensor (1) is used to convert the pressure p of the pneumatic input signal into an electric DC voltage signal.

The DC voltage signal which is proportional to the pressure is amplified to a defined level in the measuring amplifier (3). Lower range value and span can be adjusted at the potentiometers located on the front panel (approx. $\pm 10\%$).

The output stage (4) issues a load-independent DC current signal or DC voltage signal. The type of output signal (mA or V) can be set at the switches.

The power supply unit (5) is used for the voltage supply and galvanic isolation.

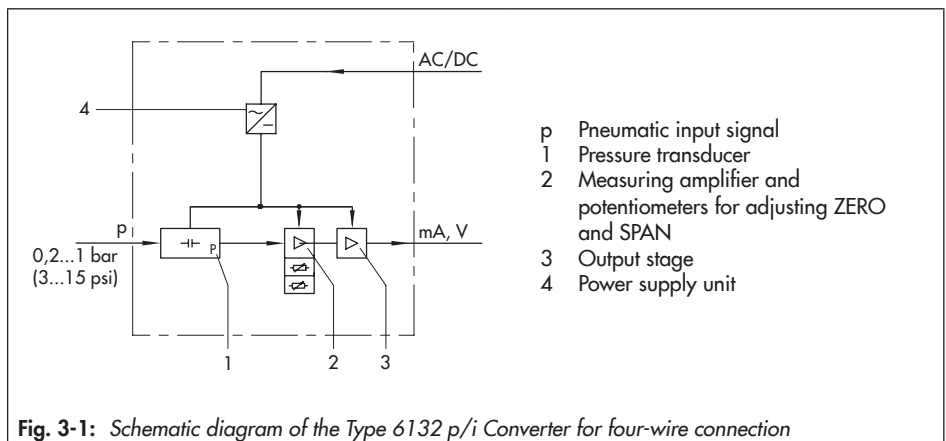


Fig. 3-1: Schematic diagram of the Type 6132 p/i Converter for four-wire connection

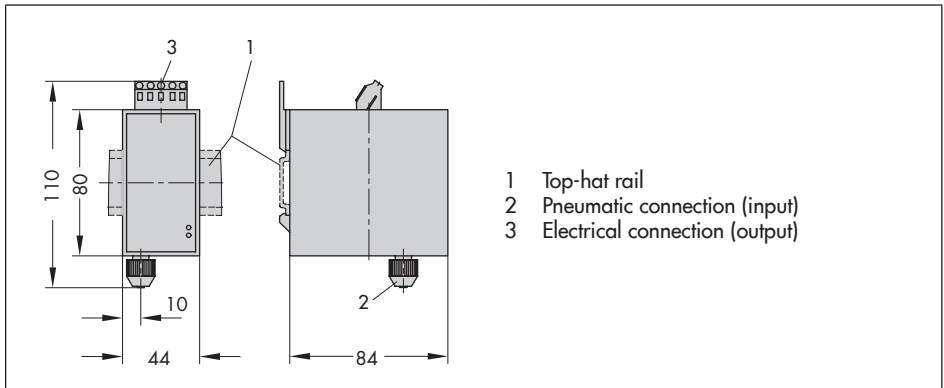
3.1 Technical data

Type	Type 6132-04	
Version	Rail-mounting unit	
Input	Input 0.2 to 1 bar (3 to 15 psi), overloadable up to 2 bar	
Selected using switches inside the device	0 to 20 mA · 4 to 20 mA 0 to 10 V · 2 to 10 V · 0 to 5 V · 1 to 5 V	
Permissible load	0/4 to 20 mA	$\leq 750 \Omega$ at 20 mA
	0/2 to 10 V	$\geq 2 \text{ k}\Omega$
Supply voltage	24 V DC (18 to 36 V) 1.5 W; 230 V AC, 115 V AC, 24 V AC (-15/+10 %) 50/60 Hz, 3 VA	
Characteristic ¹⁾		
Characteristic	Output linear to input	
Hysteresis	$\leq 0.05 \%$	
Deviation from terminal-based linearity	$\leq 0.02 \%$	
Dead band	$\leq 0.03 \%$	
Ripple of output signal	$\leq 0.05 \%$	
Effect of temperature	$\leq 0.15 \%/10 \text{ K}$ for zero and span	
EMC noise emission	EN 61000-6-3, EN 61326	
EMC noise immunity	EN 61000-6-2, EN 61326	
Device safety	EN 61010	
Class of protection	I	
Overvoltage category	II	
Degree of contamination	2	
Ambient conditions, degree of protection, weight		
Permissible ambient temperature	-20 to +70 °C	
Perm. storage temperature	-40 to +85 °C	
Perm. transportation temperature	-40 to +85 °C	
Degree of protection acc. to EN 60529	IP 20	
Conformity	CE · EAC	
Weights	AC supply voltage	Approx. 0.32 kg
	DC supply voltage	Approx. 0.25 kg

Installation and connections	
Air connection	Connection for hose with 4 mm inside diameter and 6 mm outside diameter
Electrical connection	Terminals for 0.5 to 2.5 mm ² wires Fixed wires 0.2 to 4 mm ² Flexible wires 0.2 to 2.5 mm ²
Installation	35 mm top-hat rail, DIN EN 60715

1) All errors specified based on output span

3.1.1 Dimensions in mm



4 Shipment and on-site transport

The work described in this section is only to be performed by personnel appropriately qualified to carry out such tasks.

4.1 Accepting the delivered goods

After receiving the shipment, proceed as follows:

1. Check the scope of delivery. Check that the specifications on the nameplate of the device match the specifications in the delivery note. See the 'Markings on the device' section for nameplate details.
2. Check the shipment for transportation damage. Report any damage to SAMSON and the forwarding agent (refer to delivery note).

4.2 Removing the packaging from the device

Observe the following sequence:

- Do not remove the packaging until immediately before installation.
- Dispose and recycle the packaging in accordance with the local regulations.

4.3 Transporting the device

- Pack the device properly to comply with terms of transportation.

Transport instructions

- Protect the device against external influences (e.g. impact).
- Protect the device against moisture and dirt.
- Observe transport temperature (see the 'Design and principle of operation' section).

4.4 Storing the device

! NOTICE

Risk of device damage due to improper storage.

- Observe the storage instructions.
 - Avoid long storage times.
 - Contact SAMSON in case of different storage conditions.
-

! Note

We recommend regularly checking the prevailing storage conditions during long storage periods.

Shipment and on-site transport

Storage instructions

- Protect the device against external influences (e.g. impact, shocks, vibration).
- Do not damage the corrosion protection (coating).
- Protect the device against moisture and dirt. In damp spaces, prevent condensation. If necessary, use a drying agent or heating.
- Observe storage temperature (see the 'Design and principle of operation' section).
- Do not place any objects on the device.

5 Installation

The work described in this section is only to be performed by personnel appropriately qualified to carry out such tasks.

5.1 Installation conditions

Work position

The work position is the front view onto the operating controls on the device seen from the position of operating personnel.

Operators must ensure that, after installation of the device, the operating personnel can perform all necessary work safely and easily access the device from the work position.

Mounting orientation

The valve can be mounted in any desired position.

5.2 Preparation for installation

Before installation, make sure the following conditions are met:

- The converter is not damaged.
- The connections of the converter are clean.

Proceed as follows:

- ➔ Lay out the necessary material and tools to have them ready during mounting.

5.3 Mounting the converter

The converter is mounted on a top-hat rail (DIN EN 60715).

- ➔ Snap the converter onto the top-hat rail.

5.4 Adjusting the output signal

The converter is delivered with the output signal range specified in the order. If a different output signal range is required than the one specified on the nameplate, proceed as follows:

- ➔ Use a small screwdriver to lever off the plate with the pneumatic connection.
- ➔ Take the electronics unit out of the housing and pull the printed circuit boards apart.
- ➔ Adjust the rotary switch S2 and slider switches S1.1 and S1.2 to set the required output signal (see Table 5-1).

Table 5-1: Switch settings for output signal range

Output signal	S2	S1.1	S1.2
0 to 20 mA	⊘	ON	OFF
4 to 20 mA	⊘	OFF	OFF
0 to 10 V	⊘	ON	OFF
2 to 10 V	⊘	OFF	OFF
0 to 5 V	⊘	ON	ON
1 to 5 V	⊘	OFF	ON

5.5 Electrical connection

⚠ DANGER

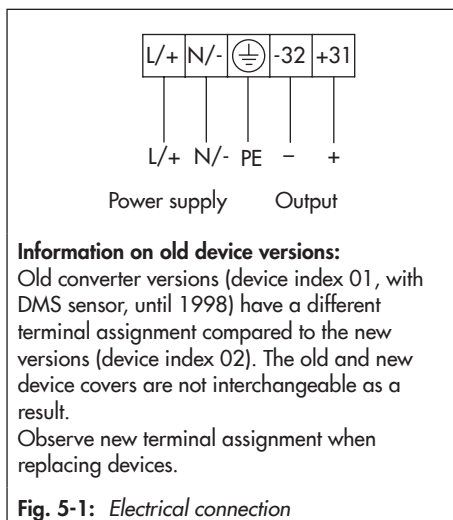
Risk of fatal injury due to electric shock (devices with 230 V supply voltage).

- ➔ Before connecting wiring, performing any work on the device or opening the device, disconnect the supply voltage and protect it against unintentional re-connection.
- ➔ Only use power interruption devices that are protected against unintentional re-connection of the power supply.

For electrical installation, observe the relevant electrotechnical regulations and the accident prevention regulations that apply in the country of use. In Germany, these are the VDE regulations and the accident prevention regulations of the employers' liability insurance.

The terminals of the converter are designed for wires with 0.5 to 2.5 mm².

- ➔ Connect the wires of the converter to the terminals.
Route the connecting lines for supply voltage and output signal separately.



5.6 Pneumatic connection

⚠ NOTICE

Risk of converter damage due to the maximum pressure at the converter input being exceeded.

The maximum permissible pressure at the converter input is restricted to 2 bar.

- ➔ Make sure that the input signal does not exceed 2 bar.

Air quality requirements

- ➔ Only use air that is dry and free of oil and dust.
- ➔ Observe the air quality according to ISO 8573-1: 2001.
- ➔ Blow through all air pipes and hoses thoroughly before connecting them.

Line for input signal

The connection is designed as a hose connection for 4x1 mm hose.

- Connect the air line from the upstream pneumatic components to the hose connection of the converter.

6 Start-up

The work described in this section is only to be performed by personnel appropriately qualified to carry out such tasks.

⚠ DANGER

Risk of fatal injury due to electric shock (devices with 230 V supply voltage).

- *Before connecting wiring, performing any work on the device or opening the device, disconnect the supply voltage and protect it against unintentional re-connection.*
- *Only use power interruption devices that are protected against unintentional re-connection of the power supply.*

Start-up conditions

Before start-up, make sure the following conditions are met:

- The converter is properly mounted according to the instructions.
- The pneumatic and electrical connections have been properly performed according to the instructions.
- The prevailing conditions in the converter's environment meet the converter's technical specifications. See specifications on the nameplate ('Markings on the device' section) and in the technical data ('Design and principle of operation' section).

Putting the converter into operation

- Switch on supply voltage.
See the 'Markings on the device' section for permissible voltage according to specification on the nameplate.

ⓘ Note

The converter is tested by SAMSON and the output signal is adjusted to the required range. In case of inconsistencies caused by the converter despite it being mounted correctly, the zero and span can be retuned (see the 'Servicing' section).

7 Operation

The electropneumatic converter starts to operate once start-up is completed.

No further action is necessary if the input signal is converted into the output signal according to specification. If this is not the case, the quality of the output signal can be improved by retuning zero and span (see the 'Servicing' section).

8 Malfunction

⚠ DANGER

Risk of fatal injury due to electric shock (devices with 230 V supply voltage).

- Before connecting wiring, performing any work on the device or opening the device, disconnect the supply voltage and protect it against unintentional re-connection.
- Only use power interruption devices that are protected against unintentional re-connection of the power supply.

ⓘ NOTICE

Risk of converter damage due to the maximum pressure at the converter input being exceeded.

The maximum permissible pressure at the converter input is restricted to 2 bar.

- Make sure that the input signal does not exceed 2 bar.

8.1 Troubleshooting

- See Table 8-1

i Note

Contact SAMSON's After-sales Service for malfunctions not listed in the table.

8.2 Emergency action

Plant operators are responsible for emergency action to be taken in the plant.

In the event of a converter malfunction:

1. Perform troubleshooting.
2. Rectify those malfunctions that can be remedied based on the instructions provided here. Contact our after-sales service in all other cases.

Putting the device back into operation after a malfunction

See the 'Start-up' section.

Malfunction

Table 8-1: *Troubleshooting*

Malfunction	Possible reasons	Corrective action to be taken
No output signal despite changing the input signal	Incorrect electrical connection	→ Check electrical connection (see the 'Installation' section).
	Incorrect output signal	→ Adjusting the output signal (see the 'Installation' section).
Output signal does not change proportionally into the input signal.	Incorrect pneumatic connection	→ Check the pneumatic connection (see the 'Installation' section).
p/i converter does not reach 100 % output e.g. 1 bar input: output only 70 % instead of 100 %	Zero and span shifted.	→ Tune zero and span (see the 'Servicing' section).
	Incorrect output signal	→ Adjusting the output signal (see the 'Installation' section).
	Incorrect electrical connection	→ Check electrical connection (see the 'Installation' section).
	Incorrect pneumatic connection	→ Check the pneumatic connection (see the 'Installation' section).

9 Servicing

The work described in this section is only to be performed by personnel appropriately qualified to carry out such tasks.

⚠ DANGER

Risk of fatal injury due to electric shock (devices with 230 V supply voltage).

- Before connecting wiring, performing any work on the device or opening the device, disconnect the supply voltage and protect it against unintentional reconnection.
- Only use power interruption devices that are protected against unintentional reconnection of the power supply.

i Note

The device was checked by SAMSON before it left the factory.

- The product warranty becomes void if service or repair work not described in these instructions is performed without prior agreement by SAMSON's After-sales Service.
- Only use original spare parts by SAMSON, which comply with the original specifications.

9.1 Tuning zero and span

The **ZERO** and **SPAN** potentiometers are accessible on the front panel.

 ZERO potentiometer

 SPAN potentiometer

- Disconnect the supply voltage and protect it against unintentional reconnection.
- Remove any lines to upstream components (pneumatic input signal) and any wires to downstream control equipment (electric output signal).
- Connect the pneumatic input to a pressure instrument and the electric output to a measuring instrument with sufficient accuracy.
- Switch on supply voltage.
- Tune zero:
 - Set the input signal to 0.2 bar.
The output signal of the measuring instrument must now indicate 0/4 mA or 0/2 V.
 - Correct deviations at the **ZERO** potentiometer.
- Tune span:
 - Raise the input signal from 0.2 bar to 1 bar.
The output signal of the measuring instrument must now indicate 20 mA or 10 V.
 - Correct deviations at the **SPAN** potentiometer.

Servicing

→ As the adjustment of zero and span influence each other, recheck both zero and span and correct them, if necessary.

After tuning is completed:

→ Disconnect the supply voltage and protect it against unintentional reconnection.

→ Disconnect the pressure instrument from the pneumatic input and the measuring instrument from the electric output.

→ Connect the converter to the upstream components (pneumatic line for input signal) and to the downstream control equipment (electric line for output signal).

→ Switch on supply voltage.

9.2 Periodic inspection and testing of the converter

We recommend inspection and testing according to Table 9-1 at the minimum.

Table 9-1: *Recommended inspection and testing*

Inspection and testing	Action to be taken in the event of a negative result
Check the markings, labels and nameplates on the converter for their readability and completeness.	Contact SAMSON when nameplates or labels are damaged, missing or incorrect to renew them.
	Clean any inscriptions that are covered with dirt and are illegible.
Check the converter to ensure it is mounted firmly.	Tighten the any loose mounting screws.
Check air lines.	Tighten any loose connections.
	Renew damaged lines.
Check the electric wiring.	Make sure that the stranded wires are pushed into the terminals and tighten any loose screws on the the terminals.
	Renew damaged lines.

10 Decommissioning

The work described in this section is only to be performed by personnel appropriately qualified to carry out such tasks.

Decommissioning the converter

- Disconnect the supply voltage and protect it against unintentional reconnection.

11 Removal

The work described in this section is only to be performed by personnel appropriately qualified to carry out such tasks.

Removing the converter

- Make sure that the converter has been put out of operation properly (see the 'Decommissioning' section).
- Remove air lines.
- Disconnect the electrical wires.
- Remove the converter from the top-hat rail.

12 Repairs

A defective device must be repaired or replaced.

! **NOTICE**

Risk of device damage due to incorrect service or repair work.

- *Do not perform any repair work on your own.*
 - *Contact SAMSON's After-sales Service for repair work.*
-

12.1 Returning devices to SAMSON

Defective devices can be returned to SAMSON for repair.

Proceed as follows to return devices to SAMSON:

1. Put the device out of operation (see the 'Decommissioning' section).
2. Remove the device (see the 'Removal' section).
3. Proceed as described on the Returning goods page of our website
 - ▶ www.samsongroup.com > Service & Support > After-sales Service > Returning goods

13 Disposal



SAMSON is a producer registered at the following European institution ► <https://www.ewrn.org/national-registers/national-registers>.
WEEE reg. no.:
DE 62194439/FR 025665

- ➔ Observe local, national and international refuse regulations.
- ➔ Do not dispose of components, lubricants and hazardous substances together with your other household waste.

i Information

We can provide you with a recycling passport according to PAS 1049 on request. Simply e-mail us at offersaleservice@samsongroup.com giving details of your company address.

💡 Tip

On request, we can appoint a service provider to dismantle and recycle the product as part of a distributor take-back scheme.

14 Certificates

The following certificates are included on the next pages:

- EU declaration of conformity
- TR CU certificate

The certificates shown were up to date at the time of publishing. The latest certificates can be found on our website:

▶ www.samsongroup.com > Products & Applications > Product selector > Signal converters > 6132



SAMSON

EU Konformitätserklärung / EU Declaration of Conformity / Déclaration UE de conformité

Die alleinige Verantwortung für die Ausstellung dieser Konformitätserklärung trägt der Hersteller/
This declaration of conformity is issued under the sole responsibility of the manufacturer/
La présente déclaration de conformité est établie sous la seule responsabilité du fabricant.
Für das folgende Produkt / For the following product / Nous certifions que le produit

p/i-Umformer / p/i-Converter / Convertisseur p/i Typ/Type/Type 6132

wird die Konformität mit den einschlägigen Harmonisierungsrechtsvorschriften der Union bestätigt/
the conformity with the relevant Union harmonisation legislation is declared with/
est conforme à la législation d'harmonisation de l'Union applicable selon les normes:

EMC 2014/30/EU	EN 61000-6-2:2005, EN 61000-6-3:2007 +A1:2011, EN 61326-1:2013
LVD 2014/35/EU	EN 61010-1:2010
RoHS 2011/65/EU	EN 50581:2012

Hersteller / Manufacturer / Fabricant:

SAMSON AKTIENGESELLSCHAFT
Weismüllerstraße 3
D-60314 Frankfurt am Main
Deutschland/Germany/Allemagne

Frankfurt / Francfort, 2017-07-29

Im Namen des Herstellers/ On behalf of the Manufacturer/ Au nom du fabricant.

Hanno Zager
Leiter Qualitätssicherung/Head of Quality Management/
Responsable de l'assurance de la qualité

Dirk Hoffmann
Zentralabteilungsleiter/Head of Department/Chef du département
Entwicklungsorganisation/Development Organization

СЕРТИФИКАТ СООТВЕТСТВИЯ



№ ЕАЭС RU C-DE.ЭА11.В.00043/19

Серия **RU** № **0197352**

ОРГАН ПО СЕРТИФИКАЦИИ Общества с ограниченной ответственностью «ТМС РУС». Место нахождения (адрес юридического лица): Российская Федерация, 127083, город Москва, улица Верхняя Масловка, дом 20, строение 2; адрес места осуществления деятельности: Российская Федерация, 127083, город Москва, улица Верхняя Масловка, дом 20, строение 2, помещения № 18, 28. Аттестат аккредитации № РОСС RU.0001.11ЭА11 от 02.07.2015. Номер телефона: +7 (495) 221-18-04; адрес электронной почты: info@tms-cs.ru.

ЗАЯВИТЕЛЬ Общество с ограниченной ответственностью «Самсон Контролс». Место нахождения (адрес юридического лица) и адрес места осуществления деятельности: Российская Федерация, 109544, город Москва, бульвар Энтузиастов, дом 2, этаж 5, комната 11. ОГРН 1037700041026. Номер телефона: +7 (495) 777-45-45; адрес электронной почты: samson@samson.ru.

ИЗГОТОВИТЕЛЬ «SAMSON AG Mess- und Regeltechnik» Место нахождения (адрес юридического лица) и адрес места осуществления деятельности по изготовлению продукции: Weismullerstrasse 3, D-60314 Frankfurt am Main, Германия.

ПРОДУКЦИЯ Преобразователи электропневматические типов 6109, 6111, 6112, 6116, 6126, 6132, 6134, 6151. Изготовление в соответствии со стандартами, указанными в приложении к сертификату соответствия на бланке № 0678626. Серийный выпуск

КОД ТН ВЭД ЕАЭС 9032 81 000 0

СООТВЕТСТВУЕТ ТРЕБОВАНИЯМ Технических регламентов Таможенного союза: «О безопасности низковольтного оборудования» (ТР ТС 004/2011); «Электромагнитная совместимость технических средств» (ТР ТС 020/2011)

СЕРТИФИКАТ СООТВЕТСТВИЯ ВЫДАН НА ОСНОВАНИИ протокола сертификационных испытаний № Г506-5421 от 18.09.2019, выданного Испытательной лабораторией Ассоциации экспертов по сертификации и испытаниям продукции «Сертификационный центр НАСТХОЛ», аттестат аккредитации РОСС RU.0001.21ГБ06; протокола сертификационных испытаний № 190919-007-02/ИР от 22.10.2019, выданного испытательной лабораторией ООО «Инновационные решения», аттестат аккредитации РОСС RU.0001.21AB90; акта о результатах анализа состояния производства № 00062-А от 04.07.2019 органа по сертификации Общества с ограниченной ответственностью «ТМС РУС»; руководства по эксплуатации 4218-ЭПП-2019.РЭ. Схема сертификации – 1с

ДОПОЛНИТЕЛЬНАЯ ИНФОРМАЦИЯ Стандарты, в результате применения которых на добровольной основе обеспечивается соблюдение требований технических регламентов: ГОСТ 12.2.007.0-75 «Система стандартов безопасности труда. Издания электротехнические. Общие требования безопасности»; ГОСТ 30804.6.2-2013 раздел 6 «Совместимость технических средств электромагнитная. Устойчивость к электромагнитным помехам технических средств, применяемых в промышленных зонах»; ГОСТ 30804.6.4-2013 раздел 7 «Совместимость технических средств электромагнитная. Электромагнитные помехи от технических средств, применяемых в промышленных зонах». Назначенный срок службы – 12 лет. Назначенный срок хранения – 2 года. Условия хранения указаны в руководстве по эксплуатации 4218-ЭПП-2019.РЭ.

СРОК ДЕЙСТВИЯ С 31.10.2019 ПО 30.10.2024

ВКЛЮЧИТЕЛЬНО

Руководитель (уполномоченное лицо) органа по сертификации

(подпись)

Эксперт (эксперт-аудитор) (эксперты (эксперты-аудиторы))

(подпись)



Халфин Салават Маулитбаевич (Ф.И.О.)

М.П.

Ходоров Владимир Игоревич (Ф.И.О.)

15 Annex

15.1 After-sales service

Contact our after-sales service for support concerning service or repair work or when malfunctions or defects arise.

You can reach our after-sales service at aftersalesservice@samsongroup.com.

Addresses of SAMSON AG and its subsidiaries

The addresses of SAMSON AG, its subsidiaries, representatives and service facilities worldwide can be found on our website (www.samsongroup.com) or in all SAMSON product catalogs.

Required specifications

Please submit the following details:

- Order number and position number in the order
- Type designation, model number, configuration ID, serial number
- Input and output signal
- Voltage

EB 6132 EN



SAMSON AKTIENGESELLSCHAFT
Weismüllerstraße 3 · 60314 Frankfurt am Main, Germany
Phone: +49 69 4009-0 · Fax: +49 69 4009-1507
samson@samsongroup.com · www.samsongroup.com