



**Your contact details:**

Title:

Name:

Company:

Customer no.

Street:

ZIP/postal code, city:

Country:

E-mail:

Phone:

## Ordering spare parts

The spare parts for Type 3248 are listed on the next pages. This document can also be used for ordering:

1. Fill in your contact data and information on the product.
2. Enter the quantity of spare parts needed.
3. Click [Send form] button to attach the PDF form to an e-mail.
4. Attach additional information (e.g. invoice, photos) to the e-mail, if necessary.
5. Send e-mail to spareparts-de@samsongroup.com.

**Either**

Configuration ID (Var-ID):

**or**

SAMSON order no.:

Position in order:

**or specifications on the nameplate**

(description of the currently valid nameplate ► **EB 8093-1**)

2	Type designation:	3248
4	Material:	
6	Valve size:	
7	Pressure rating:	
10	Flow coefficient:	
11	Characteristic:	
12	Seat-plug seal:	
13	Seat code:	
Style		
Version		With bellows seal
Application		NACE
		Oxygen
		Industrial gases
		Chlorine

Send form

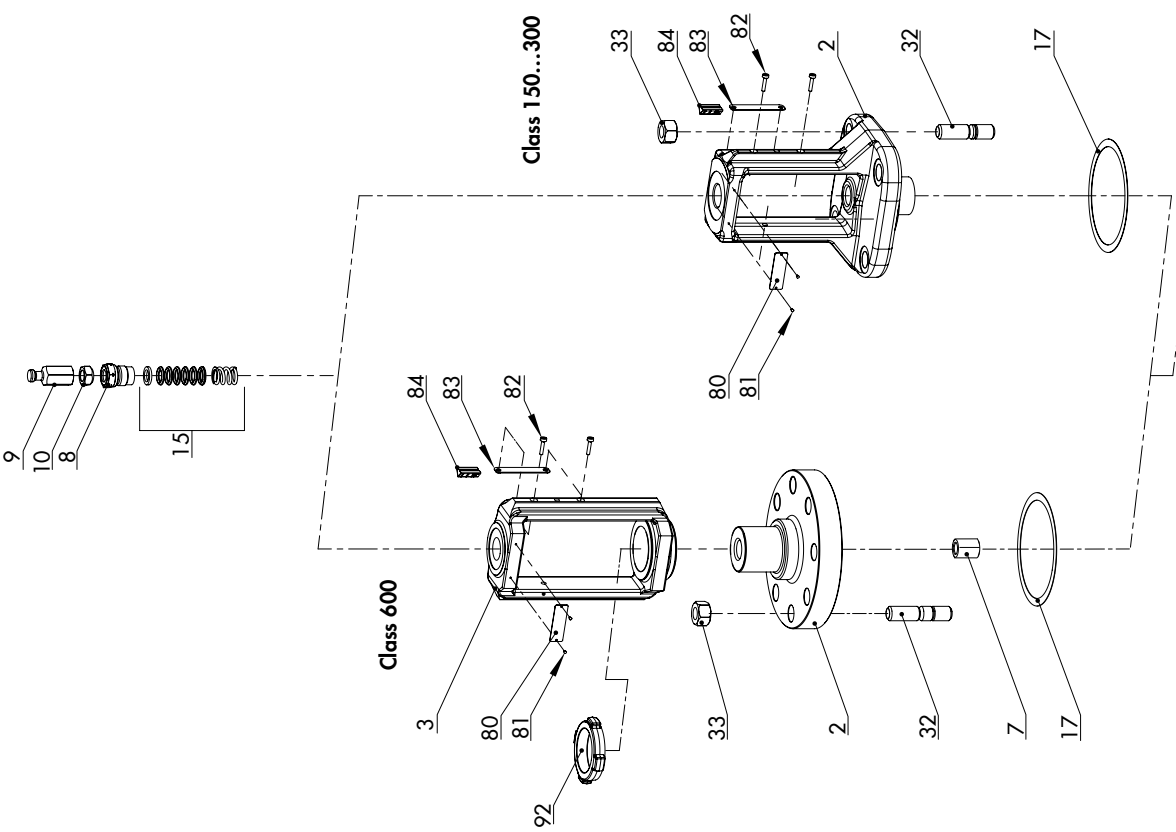
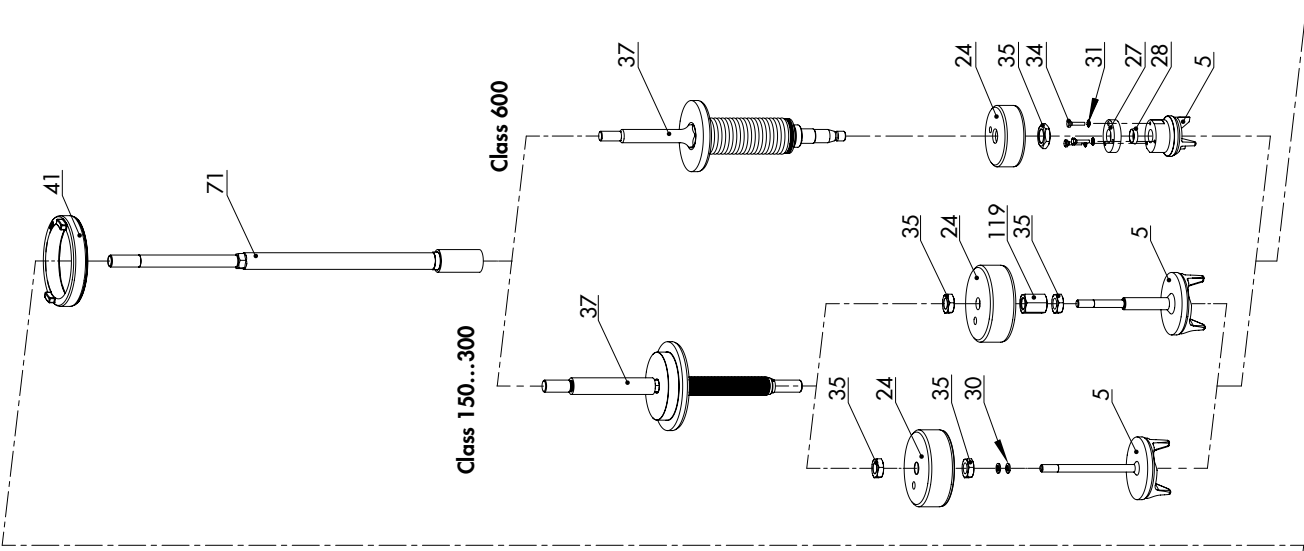
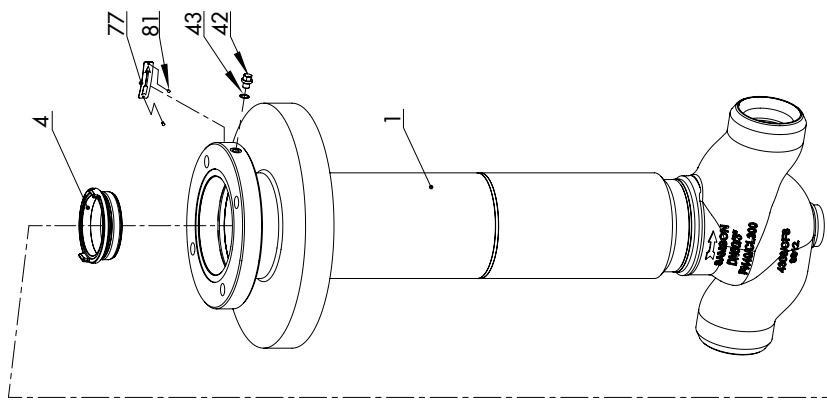
Print form

Clear form

Edition November 2022

**Spare parts list**

**EL 8093-1 EN**



Spare part no.		Qty.	Filled in by SAMSON: material no.
1	Body		
2	Valve bonnet		
3	Yoke		
<b>4</b>	<b>Seat</b>		
<b>5</b>	<b>Plug (with plug stem)</b>		
7	Guide bushing		
<b>8</b>	<b>Threaded bushing (packing nut)</b>		
9	Stem connector nut		
10	Lock nut		
<b>15</b>	<b>Packing</b>		
<b>17</b>	<b>Bonnet gasket</b>		
22	Bellows seal		
<b>24</b>	<b>Guide bushing</b>		
27	Flange		
28	Clamping ring		
<b>30</b>	<b>Retaining washers</b>		
31	Washer		
32	Hex bolt		
33	Nut		
34	Screw		
35	Lock nut		
<b>37</b>	<b>Plug stem with metal bellows</b>		
41	Slotted round nut		
42	Screw plug (test connection)		
43	Seal		
<b>71</b>	<b>Spacer stem</b>		
77	Plate (direction of flow)		
80	Nameplate		
81	Grooved pin		
82	Cap screw		
83	Hanger		
84	Travel indicator scale		
92	Castellated nut		
119	Support nut		

Specifications subject to change without notice

---