

Spare Parts List for Type 3271/3277 (355v2 cm²)



Your contact details:

Title:

Name:

Company:

Customer no.

Street:

ZIP/postal
code, city:

Country:

E-mail:

Phone:

Ordering spare parts

The spare parts for Type 3271/3277 (355v2 cm²) are listed on the next pages. This document can also be used for ordering:

1. Fill in your contact data and information on the product.
2. Enter the quantity of spare parts needed.
3. Click [Send form] button to attach the PDF form to an e-mail.
4. Attach additional information (e.g. invoice, photos) to the e-mail, if necessary.
5. Send e-mail to spareparts-de@samsongroup.com.

Either

Configuration ID (Var-ID):

or

SAMSON order no.:

Position in order:

or specifications on the name-plate

(description of the currently valid nameplate ► EB 8310-4)

Type number

Country of origin

Serial number

Actuator area

355v2 cm²

Bench range in bar
and psi

Operating travel in
mm

Operating range in
bar and psi

Permissible supply
pressure pmax in bar
or psi

Fail-safe action

Manual operation

Diaphragm material

Connecting thread

Date of manufacture

Operating medium

Send form

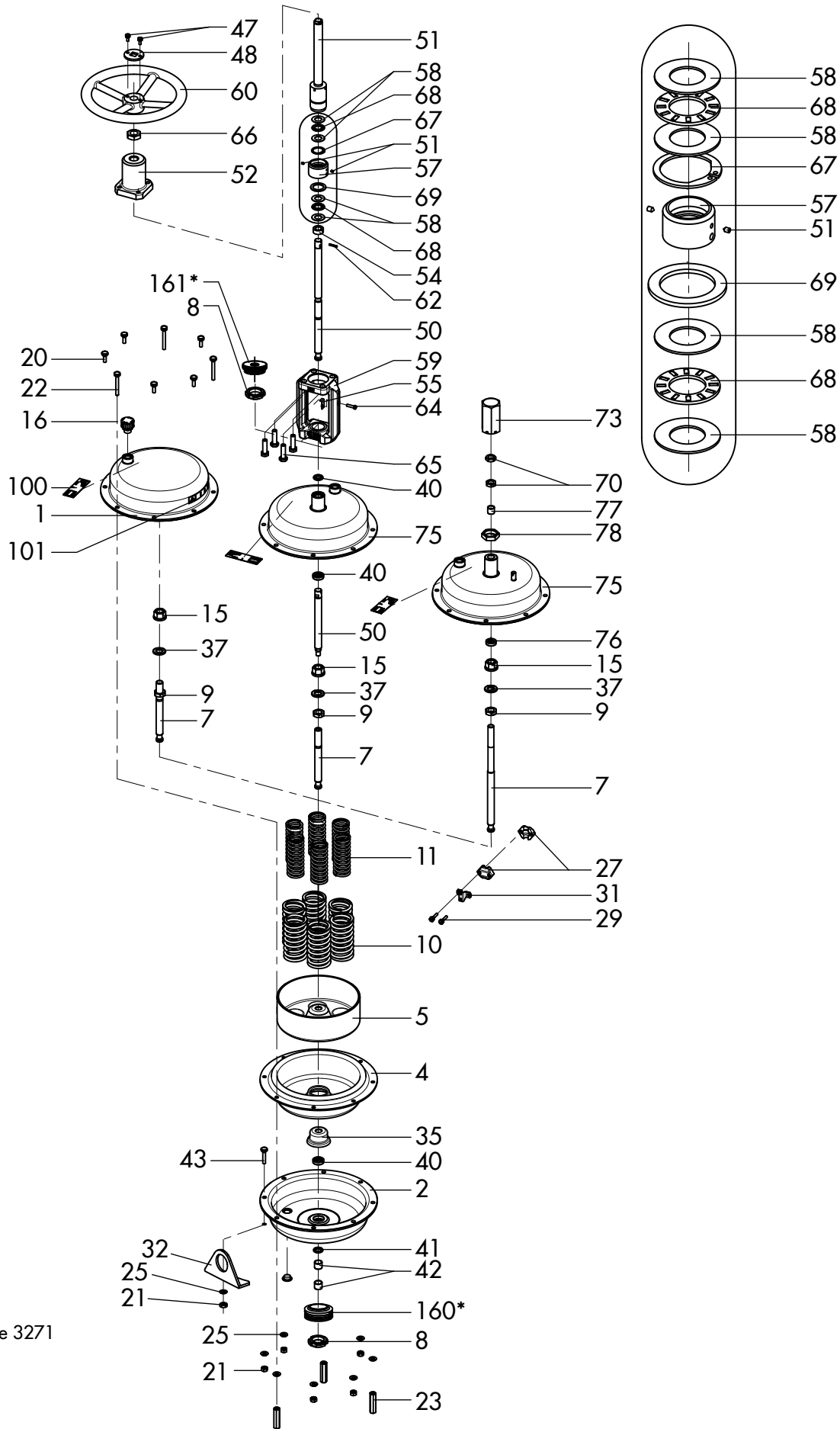
Print form

Clear form

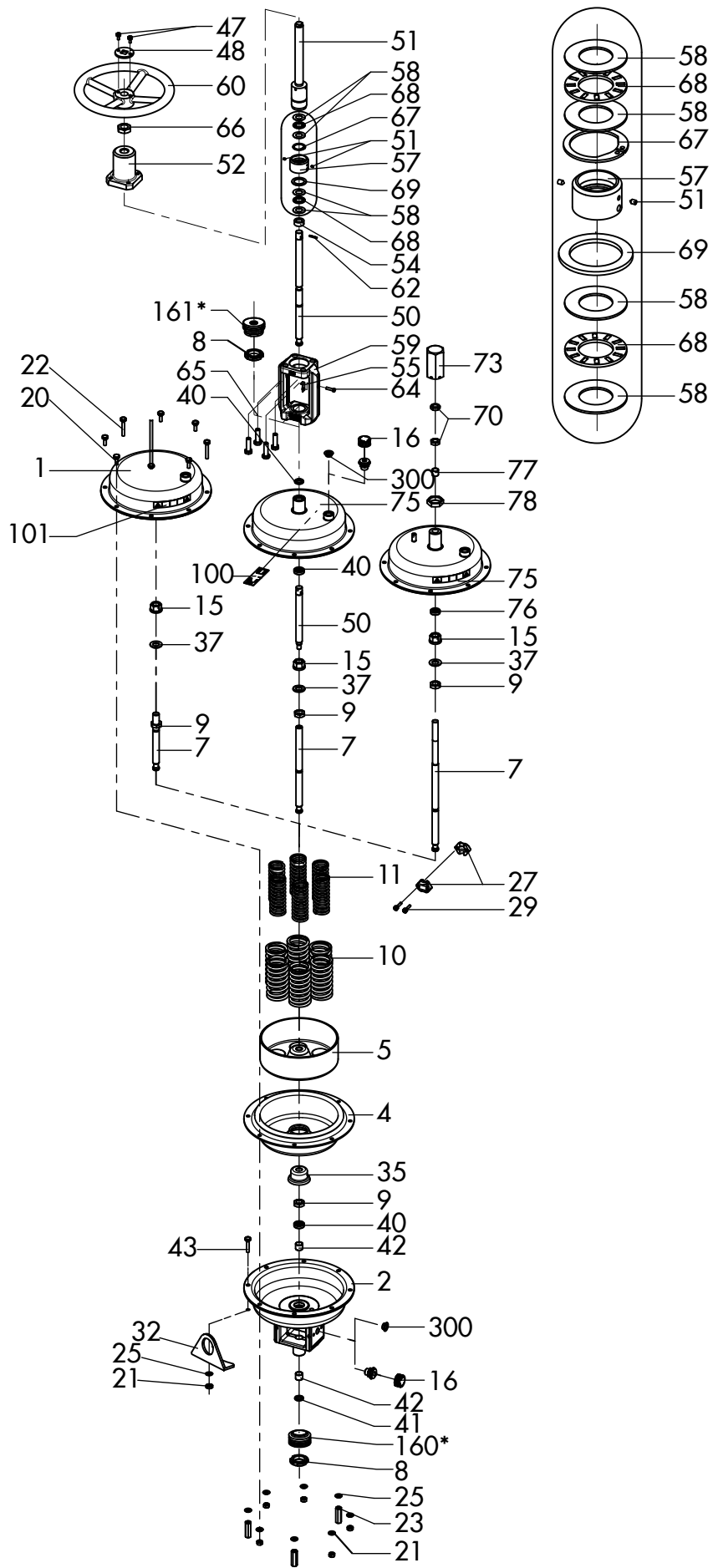
Edition August 2020

Spare Parts List

EL 8310-4 EN



Type 3271



Type 3277

Spare part no.		Qty.	Filled in by
			SAMSON: material no.
1	Top diaphragm case		
2	Bottom diaphragm case		
4	Diaphragm		
5	Diaphragm plate		
7	Actuator stem		
8	Ring nut		
9	Hex nut		
10	Spring (external)		
11	Spring (internal)		
15	Collar nut		
16	Vent plug		
20	Hex bolt		
21	Hex nut		
22	Hex bolt (preloading)		
23	Hex nut (preloading)		
25	Washer		
27	Stem connector clamp		
29	Hex screw		
31	Bracket		
32	Hanger ¹⁾		
35	Compressor		
37	Washer		
40	Radial shaft seal		
41	Wiper ring		
42	Dry bearing		
43	Hex screw		
47	Hex screw		
48	Follower clamp		
50	Actuator stem		
51	Stem connector		
52	Screwed flange		
54	Ring		
57	Coupling nut		
58	Sliding washer		

Spare part no.		Qty.	Filled in by
			SAMSON: material no.
59	Yoke		
60	Handwheel		
61	Dowel pin		
62	Dowel pin		
63	Threaded pin		
64	Cap screw		
66	Hex nut		
67	Retaining ring		
68	Axial needle seal		
69	Washer		
70	Hex nut (lock nut)		
73	Cover		
75	Top diaphragm case		
76	Radial shaft seal		
77	Dry bearing		
78	Lock nut		
100	Nameplate		
101	Label (preloading)		
160*	Dust shield (option)		
161*	Dust shield for hand-operated actuator (option)		
300	Screw plug		

¹⁾ Not included in the standard scope of delivery.

Specifications subject to change without notice