

T 5866 EN

Types 3222/5857, 3222/5827, 3222/5757-3, 3222/5757-7, 3222/5724-3, 3222/5724-8, 3222/5725-3, 3222/5725-8 Electric Control Valves

Type 3222/2780 Pneumatic Control Valve · Single-seated Type 3222 Globe Valve



Application

Globe valves for heating, ventilation and air-conditioning systems

DN 15 to 50, G ½ to 1, PN 25

Version up to 150 °C (for water, oil and liquids)

Version up to 200 °C (for water above 150 °C and steam)

Special features

- Single-seated globe valves partly available with balanced valve plugs
- Single-seated globe valves optionally available with male thread connection and welding ends, threaded ends, flanges or with female thread connection as well as with flanged valve body
- Force-locking connection between valve and actuator

Versions

Electric control valves			
Type 3222/5857	PN 25	DN 15 to 25	G ½ to 1
Type 3222/5827 ¹⁾	PN 25	DN 15 to 50	G ½ to 1
Electric control valve with electric actuator with process controller for domestic hot water heating			
Type 3222/5757-3	PN 25	DN 15 to 25	G ½ to 1
Type 3222/5724-3	PN 25	DN 15 to 50	G ½ to 1
Type 3222/5725-3 ¹⁾	PN 25	DN 15 to 50	G ½ to 1
Electric control valve with electric actuator with process controller for heating and cooling applications			
Type 3222/5757-7	PN 25	DN 15 to 25	G ½ to 1
Type 3222/5724-8	PN 25	DN 15 to 50	G ½ to 1
Type 3222/5725-8 ¹⁾	PN 25	DN 15 to 50	G ½ to 1
Pneumatic control valves			
Type 3222/2780-1	PN 25	DN 15 to 50	G ½ to 1
Type 3222/2780-2 ²⁾	PN 25	DN 15 to 50	G ½ to 1

¹⁾ Electric actuators also with fail-safe action

²⁾ Pneumatic actuator suitable for integrated positioner attachment

Register number

The valves mounted with Type 5827-A, TROVIS 5725-3 and TROVIS 5725-8 Actuators for fail-safe action "Actuator stem extends" are tested by the German technical surveillance association TÜV according to DIN EN 14597. The register number is available on request.

Also available:

Type 3222 N Valve suitable for local heat supply and large heating networks. Refer to Data Sheet ▶ T 5867.



Fig. 1: Type 3222/5857 · Type 3222/5757-3 · Type 3222/5757-7
Type 3222 with male thread connection and welding ends



Fig. 2: Type 3222/5827 · Type 3222/5725-3
Type 3222 (body with welding ends)



Fig. 3: Type 3222/2780-1 · Type 3222 (flanged body version)

Principle of operation (Fig. 4)

The medium flows through the single-seated globe valve in the direction indicated by the arrow. The position of the plug determines the flow rate across the area released between plug (1) and valve seat (5). The valve is opened by the valve spring when the actuator stem retracts. A special version is required for water with temperatures above 150 °C and for steam. The plug is moved by changing the control signal applied to the actuator.

The valve and actuator have a force-locking connection.

An intermediate insulating piece is available for insulated pipes.

Fail-safe action

For globe valves mounted to an actuator with fail-safe action, the control valve has two different positions which become effective upon power supply failure:

Actuator stem extends

- The globe valve closes upon power supply failure

Actuator stem retracts

- The globe valve opens upon power supply failure

Electric actuators

The electric actuators can be controlled by three-step signals or, in the version with positioner, with signals from 0/4 to 20 mA or 0/2 to 10 V. Various electrical accessories can be optionally installed.

Type 5827-A and Type 5827-E Actuators are able to perform a fail-safe action. Refer to section Table 4.

Refer to the data sheets for more details on the electric actuators:

▶ **T 5857:** Type 5857 Electric Actuator

▶ **T 5827:** Type 5827 Electric Actuator

Electric actuators with process controllers

Electric actuators with process controller are a combination of an electric actuator and a digital process controller. The TROVIS 5757-3, TROVIS 5724-3 and TROVIS 5725-3 Electric Actuators with Process Controller are suitable for DHW applications. TROVIS 5757-7 is suitable for heating and cooling applications. TROVIS 5724-8 and TROVIS 5725-8 have two PID control modules and are ready-wired for heating and cooling applications.

TROVIS 5725-3 and TROVIS 5725-8 Actuators are able to perform a fail-safe action. Refer to section Table 4.

Refer to the data sheets for more details on the electric actuators with process controller:

▶ **T 5757:** TROVIS 5757-3 Electric Actuator with Process Controller for domestic hot water heating

▶ **T 5757-7:** TROVIS 5757-7 Electric Actuator with Process Controller for heating and cooling applications

▶ **T 5724:** TROVIS 5724-3 and TROVIS 5725-3 Electric Actuators with Process Controller for domestic hot water heating

▶ **T 5724-8:** TROVIS 5724-8 and TROVIS 5725-8 Electric Actuators with Process Controller for heating and cooling applications

Pneumatic actuators

The Type 2780-1 Pneumatic Actuator uses a control signal from 0.4 to 1 bar and Type 2780-2 uses a control signal from 0.4 to 2 bar which is applied to the signal pressure connection. The pneumatic actuators require a supply pressure of at least 0.2 bar above the maximum bench range. The actuators are available for fail-safe action "actuator stem extends (FA)" or "actuator stem retracts (FE)".

The Type 2780-2 Pneumatic Actuator is suitable for integral positioner attachment.

Refer to the data sheet for more details on the pneumatic actuators ▶ T 5840: Types 2780-1 and 2780-2 Pneumatic Actuators

Installation of the control valve

- Version for water, oil and other liquids: the valve can be mounted in any desired position, however, the actuator must not be suspended downwards.
- Version for water above 150 °C and steam: the valve must be installed with the valve in the upright position.

If the control valve is to be insulated, the actuator and the coupling nut must not be insulated as well. Make sure that the temperature does not exceed the maximum permissible ambient temperature. If necessary, an intermediate insulating piece must be used. Do not insulate it over 25 mm.

Ordering text

Control Valve Type:

- 3222/5857, 3222/5827-..., 3222/5757-3,
- 3222/5757-7, 3222/5724-3..., 3222/5724-8...
- 3222/5725-3..., 3222/5725-8...,
- 3222/2780-1, 3222/2780-2

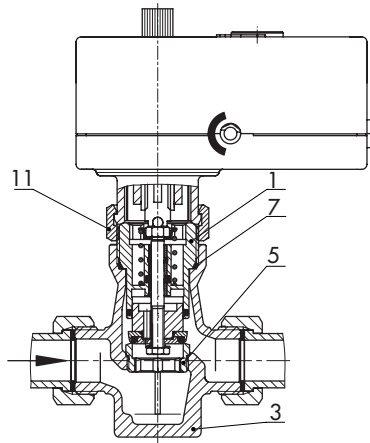
- End connections:
 - male thread connection and welding ends DN ...,
 - male thread connection and threaded ends DN ...,
 - male thread connection and flanges DN ...,
 - flanged body DN ...,
 - female thread G ...
- K_{VS} coefficient: ...
- Max. temperature: ...
- Version:
 - for water, oil and other liquids
 - for water above 150 °C and steam
- Intermediate insulating piece (1990-1712) yes, no

Further specifications on the electric actuator

- Control: three-step signal, positioner
- Supply voltage: ...
- Electric additional equipment: ...

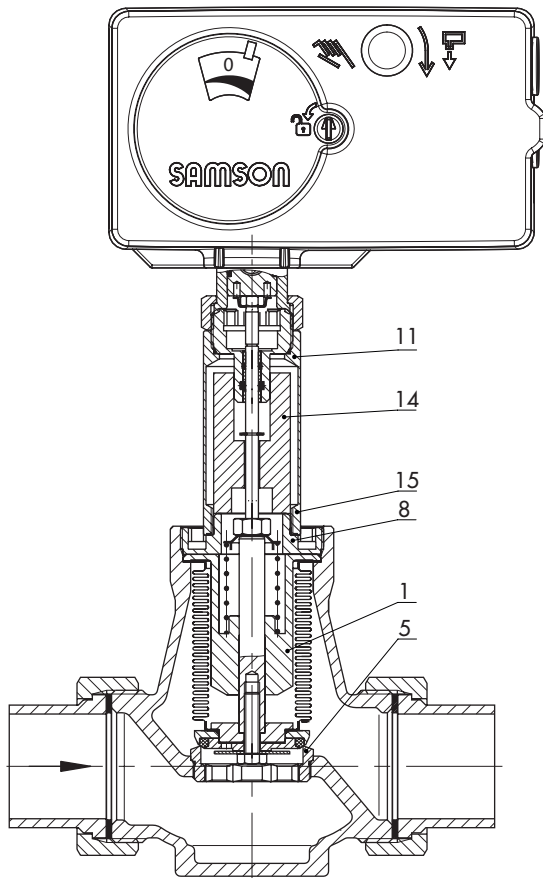
Further specifications on the pneumatic actuator

- Actuator type: 2780-1, 2780-2
- Signal pressure connection for Type 2780-1: G 1/8, 1/8 NPT
- Fail-safe action: stem extends (FA), stem retracts (FE)

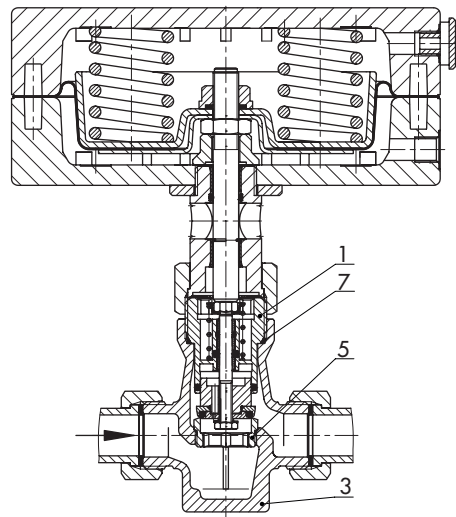


- 1 Plug
- 3 Body
- 5 Seat
- 7 O-ring
- 8 Connecting piece
- 11 Guide nipple
- 14 Insulating section
- 15 Insulating pipe

Type 3222/5857
 Type 3222/5757-3
 Type 3222/5757-7




Type 3222/5827
 Type 3222/5724-3
 Type 3222/5724-8
 Versions for water above 150 °C and steam



Type 3222/2780-1

Fig. 4: Functional diagrams

Table 1: Technical data

Type 3222 Globe Valve								
Nominal size	Globe valve with male thread connection or with flanged body	DN	15	20	25	32	40	50
Connection size	Globe valve with female thread	G	1/2	3/4	1	-	-	-
Pressure rating		PN	25					
Seat-plug seal	Metal seal for $K_{VS} \leq 2.5$ · Soft seal for $K_{VS} \geq 3.6$							
Rated travel		mm	6			12		
Rangeability	50:1							
Leakage class according to IEC 60534-4	Class I (≤ 0.05 % of K_{VS} coefficient)							
Conformity								
Version for water, oil and other liquids								
Max. permissible temperature	150 °C ¹⁾							
Max. permissible differential pressure Δp								
	Type 5827, TROVIS 5724-3/5724-8/5725-3/5725-8, Type 2780	bar	20	20	20	12/16 ⁴⁾	12	12
	Type 5857, TROVIS 5757-3, TROVIS 5757-7	bar	20	20	20	-	-	-
Version for water above 150 °C and steam								
Max. permissible temperature	200 °C							
Max. permissible differential pressure Δp								
	Type 5827, TROVIS 5724-3/5724-8/5725-3/5725-8, Type 2780	bar	20 when $0.1 \leq K_{VS} \leq 2.5$ 10 when $3.6 \leq K_{VS} \leq 8$			8	8	8
	Type 5857, TROVIS 5757-3, TROVIS 5757-7	bar	20 ²⁾ · 5 ³⁾	5	5	-	-	-

- 1) Use intermediate insulating piece (1990-1712)
 – for medium temperatures between -15 (red brass) or -10 (EN-GJS-400-18-LT) to +5 °C (actuators according to Table 4)
 – networks with constant medium temperatures >135 °C (TROVIS 5724-3, TROVIS 5724-8, TROVIS 5725-3, TROVIS 5725-8 Actuators)
 – for liquids >120 °C (TROVIS 5757-3, TROVIS 5757-7, Type 5857 Actuators)
- 2) Differential pressure with $K_{VS} = 1$ and 1.6
- 3) Differential pressure with $K_{VS} = 2.5$ and 4
- 4) Applies to $K_{VS} = 10$

Table 2: Materials · Material numbers according to DIN EN

Type 3222 Globe Valve		
Valve body	Version with male/female thread	CC499K (CuSn5Zn5Pb2-C)
	Version with flanged body	EN-GJS-400-18-LT (GGG-40.3)
Seat	Stainless steel 1.4305	
Plug	1.4305/CW602N with soft seal · 1.4305 when $0.1 \leq K_{VS} \leq 2.5$	
Valve spring	Stainless steel 1.4310	
Seal	EPDM/FKM · Oil-resistant version: FKM	
Welding ends	1.0460	
Threaded ends	CW617N	
Screwed-on flanges	1.0460/1.0038	

Table 3: Nominal sizes and K_{VS} coefficients

Type 3222 Globe Valve								
Nominal size	Globe valve with male thread connection or with flanged body	DN	15	20	25	32	40	50
Connection size	Globe valve with female thread	G	½	¾	1	–	–	–
K_{VS} coefficients			4 ¹⁾ · 3.6 ²⁾	6.3 ¹⁾ · 5.7 ²⁾	8 ¹⁾ · 7.2 ²⁾	16 ¹⁾	20 ¹⁾	25 ¹⁾
Reduced K_{VS} coefficients			0.1 · 0.16 · 0.25 · 0.4 · 0.63 · 1.0 · 1.6 · 2.5	1.0 · 1.6 · 2.5 · 4 ¹⁾ · 3.6 ²⁾		10 ³⁾	–	–
Rated travel	mm		6	6	6	12	12	12

1) Version with male thread connection or with flanged body

2) Version with female thread

3) 6 mm rated travel

Table 4: Possible combinations

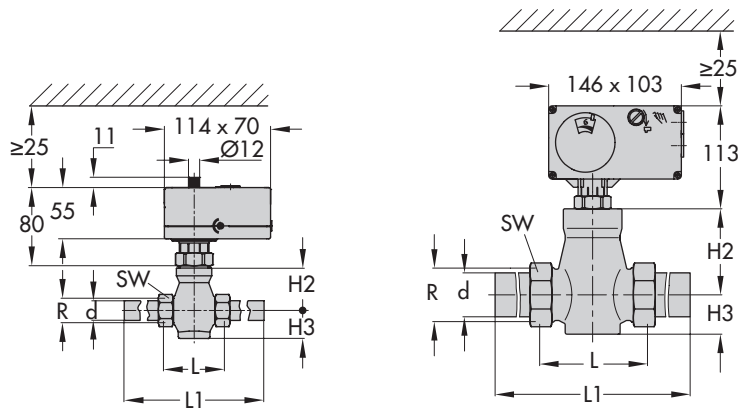
Type 3222 Globe Valve/actuator													
Type/ TROVIS	Fail-safe action: Actuator stem		Details in	Nominal size DN						Thread size G			
	Extends	Retracts		15	20	25	32	40	50	½	¾	1	
Electric actuators													
5857	–	–	▶ T 5857	•	•	•	–	–	–	–	•	•	•
5827-N1	–	–	▶ T 5827	•	•	•	–	–	–	–	•	•	•
5827-A1	•	–	▶ T 5827	•	•	•	–	–	–	–	•	•	•
5827-E1	–	•	▶ T 5827	•	•	•	–	–	–	–	•	•	•
5827-N2	–	–	▶ T 5827	–	–	–	•	•	•	–	–	–	–
5827-A2	•	–	▶ T 5827	–	–	–	•	•	•	–	–	–	–
5827-E2	–	•	▶ T 5827	–	–	–	•	•	•	–	–	–	–
Electric actuators with process controllers for domestic hot water heating													
5757-3	–	–	▶ T 5757	•	•	•	–	–	–	–	•	•	•
5724-310	–	–	▶ T 5724	•	•	•	–	–	–	–	•	•	•
5725-310	•	–		•	•	•	–	–	–	–	•	•	•
5724-320	–	–		–	–	–	•	•	•	–	–	–	–
5725-320	•	–		–	–	–	•	•	•	–	–	–	–
Electric actuators with process controller for heating and cooling applications													
5757-7	–	–	▶ T 5757-7	•	•	•	–	–	–	–	•	•	•
5724-810	–	–	▶ T 5724-8	•	•	•	–	–	–	–	•	•	•
5724-820	–	–		–	–	–	•	•	•	–	–	–	–
5725-810	•	–	▶ T 5724-8	•	•	•	–	–	–	–	•	•	•
5725-820	•	–		–	–	–	•	•	•	–	–	–	–
Pneumatic actuators													
2780-1	•	•	▶ T 5840	•	•	•	•	•	•	•	•	•	•
2780-2	•	•		•	•	•	•	•	•	•	•	•	•

Table 5: Dimensions and weights

Valves with male thread connection							
Nominal size	DN	15	20	25	32	40	50
Length L	mm	65	70	75	100	110	130
Height H2	mm	45.5	45.5	45.5	94	94	94
Version for water above 150 °C and steam or intermediate insulating piece (1990-1712)		125.5	125.5	125.5	174	174	172
Height H3	mm	30.5	30.5	30.5	43	43	45
... with welding ends							
Thread size R	G	¾	1	1¼	1¾	2	2½
Pipe Ød	mm	21.3	26.8	33.7	42	48	60
Width across flats (A/F)		30	37	46	60	65	82
Length L1	mm	210	234	244	268	294	330
Weight without actuator	kg (approx.)	0.9	1.1	1.4	3.5	3.9	5
Version for water above 150 °C and steam or intermediate insulating piece (1990-1712)		1.3	1.5	1.8	3.9	4.3	5.4
... with threaded ends							
Length L1	mm	129	144	159	192	206	228
Male thread A	G	½	¾	1	1¼	1½	2
Width across flats (A/F)		30	37	46	60	65	82
Weight without actuator	kg (approx.)	0.8	1.0	1.3	3.4	3.7	4.6
Version for water above 150 °C and steam or intermediate insulating piece (1990-1712)		1.2	1.4	1.7	3.8	4.1	5.0
... with flanges							
Width across flats (A/F)		30	37	46	60	65	82
Length L1	mm	130	150	160	180	200	230
Weight without actuator	kg (approx.)	2.2	2.7	3.5	6.5	7.3	9.2
Version for water above 150 °C and steam or intermediate insulating piece (1990-1712)		2.6	3.1	3.9	6.9	7.7	9.6
Valves with female thread							
Connection size	G	½	¾	1		–	
Width across flats (A/F)		27	34	46		–	
Length L	mm	65	75	90		–	
Female thread	G	½	¾	1		–	
Weight without actuator	kg (approx.)	0.6	0.7	0.9		–	
Version for water above 150 °C and steam or intermediate insulating piece (1990-1712)		1.0	1.1	1.3		–	
Valves with flanged body							
Nominal size	DN	15	20	25	32	40	50
Height H2	mm	46	46	46	94	94	92
Length L3	mm	130	150	160	180	200	230
Weight without actuator	kg (approx.)	2.3	2.9	3.4	6.6	7.8	8.6
Version for water above 150 °C and steam or intermediate insulating piece (1990-1712)		2.7	3.3	3.8	7.0	8.2	9.0

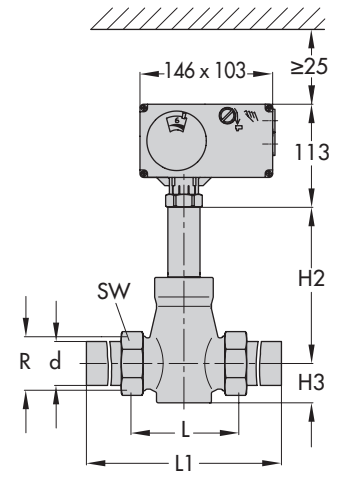
Dimensions in mm

Electric control valves
Type 3222 Globe Valve with male thread connection and welding ends

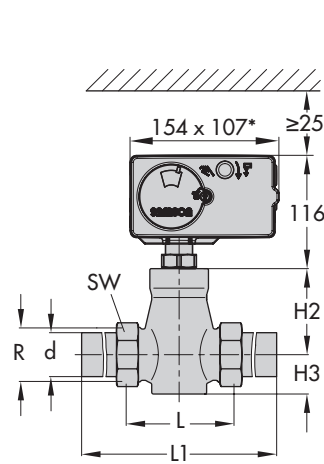


Type 3222/5857: DN 15 to 25
Type 3222/5757-3: DN 15 to 25
Type 3222/5757-7: DN 15 to 25

Type 3222/5724-3: DN 15 to 50
Type 3222/5724-8: DN 15 to 50
Type 3222/5725-3: DN 15 to 50
Type 3222/5725-8: DN 15 to 50

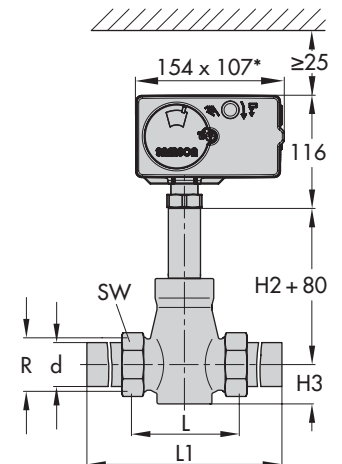


Version for water above 150 °C and steam
Type 3222/5724-3: DN 15 to 50
Type 3222/5724-8: DN 15 to 50
Type 3222/5725-3: DN 15 to 50
Type 3222/5725-8: DN 15 to 50



Type 3222/5827: DN 15 to 50

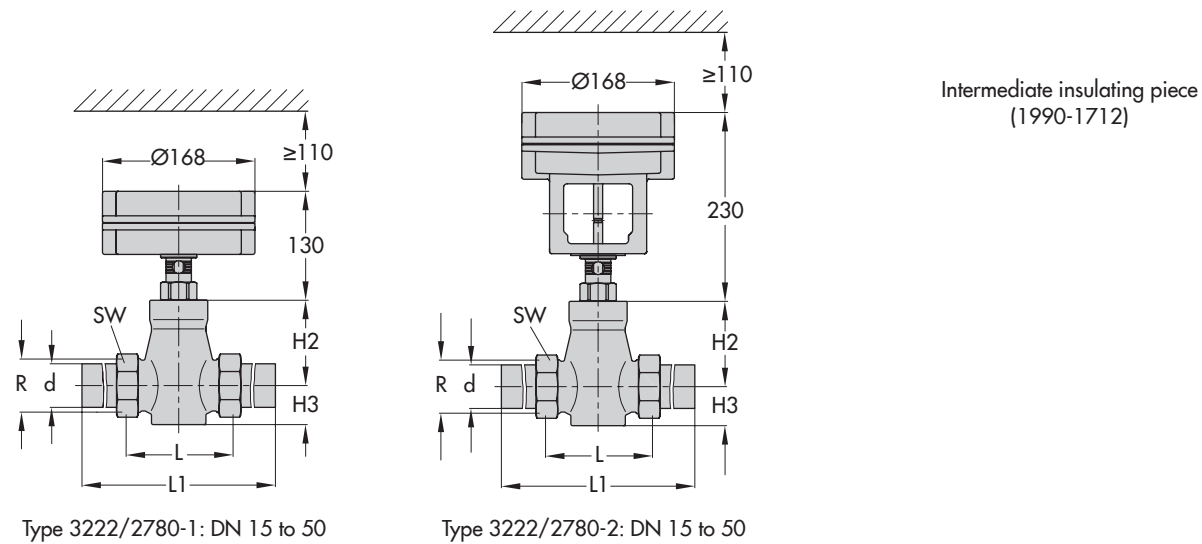
* Dimensions for actuators with double stroking speed: 154x140



Version for water above 150 °C and steam
Type 3222/5827: DN 15 to 50
* Dimensions for actuators with double stroking speed: 154x140

Pneumatic control valves

Type 3222 Globe Valve with male thread connection and welding ends

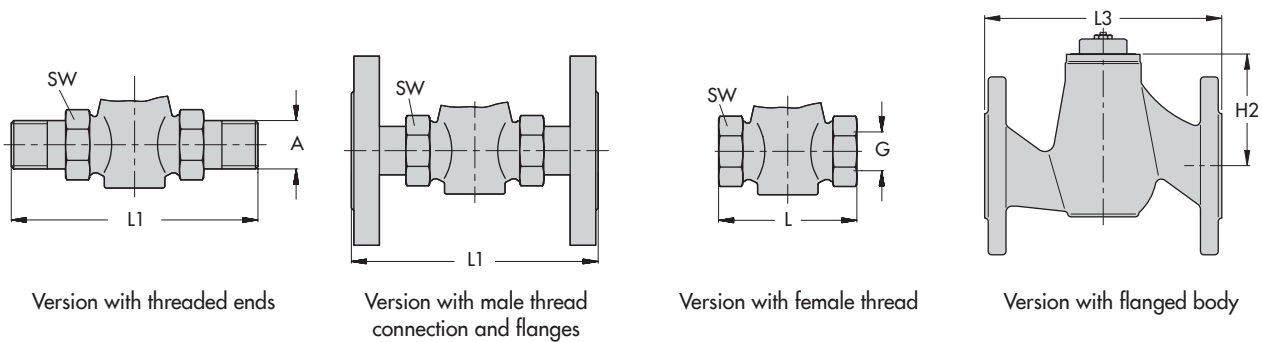


Intermediate insulating piece
(1990-1712)

Type 3222/2780-1: DN 15 to 50

Type 3222/2780-2: DN 15 to 50

Other versions for Type 3222 Globe Valve



Version with threaded ends

Version with male thread connection and flanges

Version with female thread

Version with flanged body

Table 5.1: Electric actuators

Type	5857	5827
Weight kg (approx.)	0.7	1.25

Table 5.2: Electric actuators with process controllers

TROVIS	5757-3, 5757-7	5724-3, 5724-8	5725-3, 5725-8
Weight kg (approx.)	0.7	1.1	1.3

Table 5.3: Pneumatic actuators

Type	2780-1	2780-2
Actuator area cm ²	120	
Signal pressure connection a	G 1/8	
Weight kg (approx.)	2	3.2