

T 8384-0 EN

Type 3730-0 Electropneumatic Positioner

Series 3730



Application

Single-acting or double-acting positioner for attachment to pneumatic control valves

Set point 4 to 20 mA

Travel 5.3 to 200 mm

The positioner ensures a predetermined assignment of the valve position (controlled variable x) to the input signal (set point w). It compares the input signal received from a control system to the travel of the control valve and issues a corresponding output signal pressure (output variable y).

Special features


- Simple attachment to common linear actuators with interface for SAMSON direct attachment, NAMUR rib, valves with rod-type yokes according to IEC 60534-6 (Fig. 1) and attachment according to VDI/VDE 3847
- Any desired mounting position of the positioner
- Calibrated travel sensor without gears susceptible to wear
- Analog pneumatic output prevents pulsing in case of leaking actuator
- Fast-reacting analog control loop
- High control accuracy (fine tuning) without dead band and continuous pneumatic output
- Two-wire system with small electrical load below 300 Ω for explosion-protected version and version without explosion protection
- Output pressure limitation enabled by DIP switch
- Selectable tight-closing function with fixed switching point
- Low air consumption of approx. 110 l_n/h independent of supply and output pressure
- Aluminum housing with IP 66 degree of protection
- Check valve in the exhaust air port
- Resistant to shock and vibrations
- Extended temperature range also for intrinsically safe operation
- Travel range selectable within the rated travel range by setting DIP switch
- Zero and span adjusted by potentiometers
- Set point range and direction of action adjustable by setting DIP switches, e.g. for split-range operation

Additional options

- Stainless steel housing

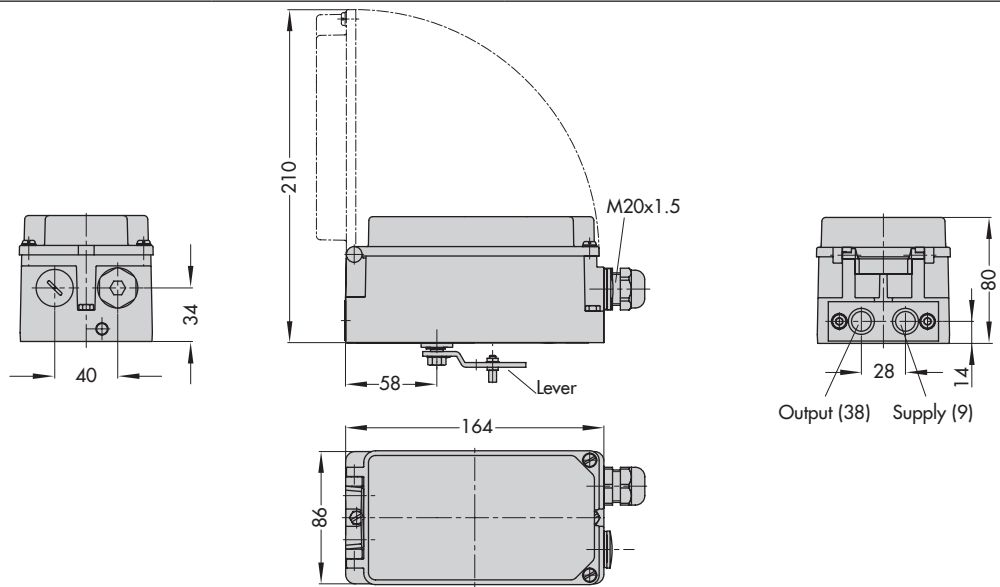


Tabelle 1: Technical data

Type 3730-0 Positioner (technical data in test certificates additionally apply to explosion-protected devices)			
Travel	Adjustable	Direct attachment to Type 3277 Actuator	5.3 to 30 mm
		Attachment to Type 3510 Micro-flow Valve	5.3 to 15 mm
		Attachment according to IEC 60534-6 (NAMUR)	5.3 to 200 mm
Travel range		Adjustable within the initialized travel/angle of rotation; travel can be restricted to 1/5 at the maximum	
Set point w	Signal range	4 to 20 mA, 4 to 12 mA and 12 to 20 mA Setting with DIP switches S6 and S7	
	Static destruction limit	100 mA	
Minimum current		3.6 mA	
Load impedance		≤ 6 V (corresponding to 300 Ω at 20 mA)	
Supply air	Supply air	1.4 to 7 bar (20 to 105 psi)	
	Air quality acc. to ISO 8573-1 (edition 2001-02)	Max. particle size and density: Class 4 · Oil content: Class 3 · Pressure dew point: Class 3 or at least 10 K below the lowest ambient temperature to be expected	
Signal pressure (output)		0 bar up to the capacity of the supply pressure Limitation to approx. 2.4 bar enabled by setting DIP switch S5	
Characteristic		Linear · Deviation ≤ 1 %	
Hysteresis		≤ 1 %	
Sensitivity		≤ 0.1 %	
Direction of action		Adjustable by changing DIP switch S4 setting	
Air consumption		Independent of supply air approx. 110 l _n /h at a supply pressure of 4 bar	
Air output capacity	Actuator filled with air	At Δp = 6 bar: 8.5 m _n ³ /h · At Δp = 1.4 bar: 3.0 m _n ³ /h · K _{Vmax(20 °C)} = 0.09	
	Actuator vented	At Δp = 6 bar: 14.0 m _n ³ /h · At Δp = 1.5 bar: 4.5 m _n ³ /h · K _{Vmax(20 °C)} = 0.15	
Permissible ambient temperature		-20 to 80 °C · -45 to 80 °C with metal cable gland The limits in the test certificate additionally apply for explosion-protected versions	
Influences	Temperature	≤ 0.15 %/10 K	
	Supply air	None	
	Effect of vibration	≤ 0.25 % up to 2000 Hz and 4 g according to IEC 770	
Electromagnetic compatibility		Complying with EN 61000-6-2, EN 61000-6-3, EN 61326-1 and NAMUR Recommendation NE 21	
Electrical connections		One M20 x 1.5 cable gland for 6 to 12 mm clamping range · Second M20 x 1.5 threaded connection additionally exists · Screw terminals for 0.2 to 2.5 mm ² wire cross-sections	
Explosion protection		See Table 2	
Degree of protection		IP 66/NEMA 4X	
Use in safety-instrumented systems (SIL)		Observing the requirements of IEC 61508, the systematic capability of the pilot valve for emergency venting as a component in safety-instrumented systems is given.	
		Use is possible on observing the requirements of IEC 61511 and the required hardware fault tolerance in safety-instrumented systems up to SIL 2 (single device/HFT = 0) and SIL 3 (redundant configuration/HFT = 1).	
Weight		1.0 kg	
Materials	Housing	Die-cast aluminum EN AC-ALSi12(Fe) (EN AC-44300) acc. to DIN EN 1706, chromated and powder coated · Special version: stainless steel 1.4408	
	External parts	Stainless steel 1.4404/316L	
	Cable gland	M20x1.5, black polyamide	
Compliance			

Dimensions in mm

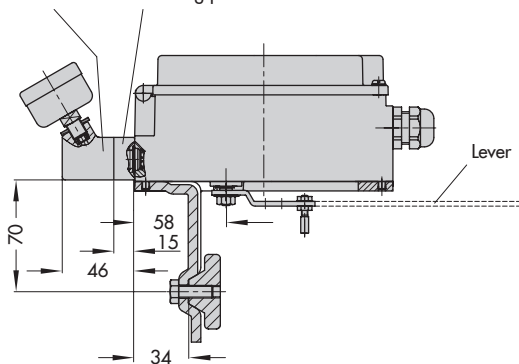
Direct attachment



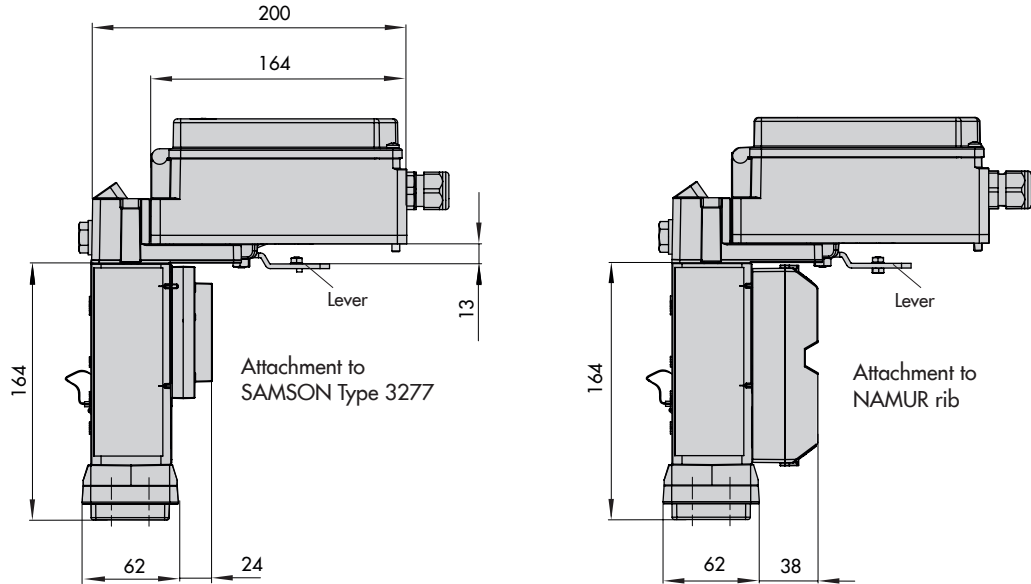
Attachment according to IEC 60534-6 (NAMUR)

Pressure gauge bracket
G 1/4 or 1/4 NPT

or connecting plate



Attachment according to VDI/VDE 3847



Lever

Lever	x	y	z
S	17 mm	25 mm	33 mm
M	25 mm	50 mm	66 mm
L	70 mm	100 mm	116 mm
XL	100 mm	200 mm	216 mm

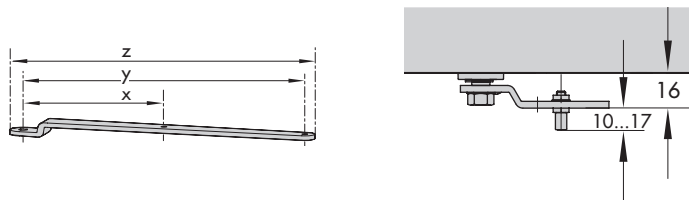





Tabelle 2: Explosion protection certificates

Type	Certification	Type of protection/comments
-01	 1) Number PTB 03.ATEX 2099 Date 2016-04-19	II 2G Ex ia IIC T6 Gb II 2D Ex ia IIIC T80°C Db
	EAC Number RU C-DE.AA87.B.01278 Date 2018-11-30 Valid until 2023-11-29	1Ex ia IIC T6/T5/T4 Gb X Ex tb IIIC T 80°C Db X
	STCC Number ZETC/15/2018 Date 2018-04-27 Valid until 2021-04-26	II 2G Ex ia IIC T6 Gb II 2D Ex ia IIIC T80 °C Db
-03	CSA Number 1613095 Date 2005-02-11	Ex ia IIC T6; Class I, Zone 0 Class II, Groups E, F, G Ex nA II T6; Class I, Zone 2 Class II, Div. 2, Groups E, F, G
	FM Number 3021579 Date 2004-12-01	Class I, Zone 0 AEx ia IIC Class I, II, III, Div.1, Groups A, B, C, D, E, F, G Class I, Div.2, Groups A, B, C, D Class II, Div.2, Groups F, G
3730 -05	 1) Number PTB 03.ATEX 2099 Date 2016-04-19	II 2D Ex tb IIIC T80°C Db IP66
	STCC Number ZETC/15/2018 Date 2018-04-27 Valid until 2021-04-26	II 2D Ex tb IIIC T80 °C Db
-07	JIS Number TC17330 Date 2020-07-29 Valid until 2023-07-28	Ex ia IIC T6
-08	 2) Number PTB 03.ATEX 2179 X Date 2013-09-17	II 3G Ex nA II T6 II 3G Ex ic IIC T6 II 3D Ex tc IIIC T80°C IP66
	EAC Number RU C-DE.AA87.B.01278 Date 2018-11-30 Valid until 2023-11-29	2Ex nA IIC T6/T5/T4 Gc X 2Ex ic IIC T6/T5/T4 Gc X Ex tc IIIC T 80°C Dc X
	STCC Number ZETC/15/2018 Date 2018-04-27 Valid until 2021-04-26	II 3G Ex nA IIC T6 Gc II 3D Ex tc IIIC T80 °C Dc

1) EC type examination certificate

2) Statement of conformity

Article code

Positioner	Type 3730-0	x	0	0	0	0	0	0	0	0	0	x	0	0	x	0	x	x
Explosion protection																		
Without		0																
ATEX	II 2G Ex ia IIC T6 Gb; II 2D Ex ia IIIC T80°C Db	1																
FM/CSA	Class I, Zone 0 AEx ia IIC; Class I, II, III, Div.1, Groups A-G; Class I, Div.2, Groups A-D; Class II, Div.2, Groups F, G/ Ex ia IIC T6; Class I, Zone 0; Class II, Groups E-G; Ex nA II T6; Class I, Zone 2; Class II, Div. 2, Groups E-G	3																
ATEX	II 2D Ex tb IIIC T80°C Db IP66	5																
JIS	Ex ia IIC T6	7																
ATEX	II 3G Ex nA II T6; II 3G Ex ic IIC T6; II 3D Ex tc IIIC T80°C IP66	8																
Housing material																		
Aluminum												0						
Stainless steel 1.4581												1						
Special applications																		
Without															0			
Compatible with paint															1			
Exhaust air with 1/4 NPT connection, back of housing sealed															2			
Special version																		
Without																	0	0
EAC	1Ex ia IIC T6/T5/T4 Gb X; Ex tb IIIC T 80°C Db X	1															1	4
EAC	2Ex nA IIC T6/T5/T4 Gc X; 2Ex ic IIC T6/T5/T4 Gc X; Ex tc IIIC T 80°C Dc X	8															2	0
With additional vent hole and VDI/VDE 3847 adapter, without travel pick-off parts															6			
With additional vent hole															7			

Mounting the positioner

The Type 3730 Electropneumatic Positioner can be attached directly to the Type 3277 Actuator over a connection block.

In actuators with fail-safe action "actuator stem extends" and Type 3277-5 Actuator (120 cm²), the signal pressure is routed over an internal hole in the actuator yoke to the actuator.

In actuators with fail-safe action "actuator stem retracts" and in actuators with effective diaphragm areas of 175 cm² or larger, the signal pressure is routed to the actuator over ready-made external piping.

Using the appropriate bracket, the positioner can also be attached according to IEC 60534-6-1 (NAMUR recommendation). The positioner can be mounted on either side of the control valve.

A special version of the positioner allows it to be attached according to VDI/VDE 3847. This type of attachment allows the positioner to be replaced quickly while the process is running by blocking the air in the actuator. The positioner can be attached directly to the Type 3277 Actuator using an adapter bracket or adapter block. Alternatively, it can be attached to the NAMUR rib of a control valve using an additional NAMUR connection block.

Ordering text

Type 3730-0x Positioner

- Without pneumatic connecting rail
(only when directly attached to Type 3277)
- With pneumatic connecting rail ISO 228/1-G ¼
- With pneumatic connecting rail ¼-18 NPT
- Without/with pressure gauge up to max. 6 bar
- Attachment to Type 3277 Actuator (120 to 750 cm²)
- Attachment acc. to IEC 60534-6-1 (NAMUR)
Travel: ... mm, if applicable, stem diameter: ... mm
- Attachment according to VDI/VDE 3847
Valve travel: ... mm, if applicable, rod diameter: ... mm
- Adapter M20x1.5 to ½ NPT
- Metal cable gland

