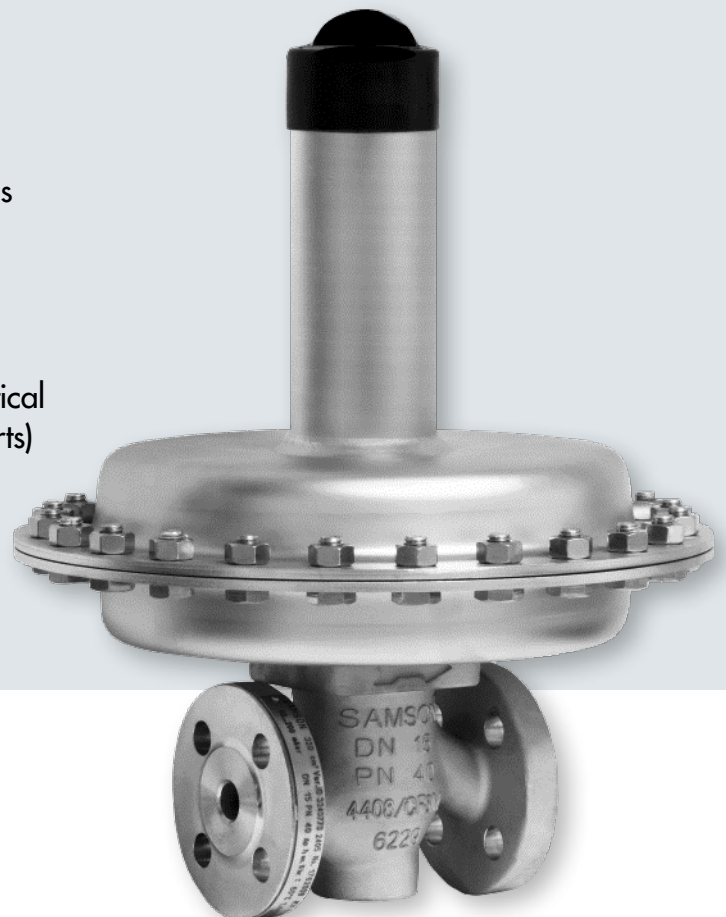


Pressure Regulators for Gas Service



Type 2405 Pressure Reducing Valve, Type 2406 Excess Pressure Valve

- High control accuracy
- Compact design
- Internal set point springs
- Cost-effective solution
- Suitable for flammable and non-flammable gases
- Excellent leak-tightness to atmosphere
- Suitable for pressure inertizing or blanketing of storage tanks
- Version for the food processing and pharmaceutical industries (FDA compliance for wetted plastic parts)
- Suitable for sour gas applications (NACE)



Pressure Regulators for Gas Service

Type 2405 Pressure Reducing Valve, Type 2406 Excess Pressure Valve	
Versions	DIN/ANSI/JIS
Pressure rating	PN 16, PN 25, PN 40/Class 150 and 300/JIS 10 K and 20 K
Connection	DN 15 to 50 · NPS ½ to 2
Set points	0.005 to 10 bar · 0.075 to 150 psi
Permissible temperature	-20 to +60 °C (0 to 150 °C) ¹⁾ · -5 to +140 °F (32 to 300 °F) ¹⁾
K _{vs} and C _v coefficients ²⁾	K _{vs} 0.016 to 32 · C _v 0.02 to 37
Body	Cast iron, cast steel, stainless steel
Diaphragm	EPDM/FKM/NBR
Plug seal	EPDM/FKM/NBR

¹⁾ Up to 150 °C in regulators with K_{vs} 0.016 to 4 in combination with FKM diaphragm or soft sealing

²⁾ Depending on nominal size



SAMSON AKTIENGESELLSCHAFT
 Weismuellerstrasse 3 · 60314 Frankfurt am Main, Germany
 Phone: +49 69 4009-0 · Fax: +49 69 4009-1507
 E-mail: samson@samson.de · Internet: www.samson.de