

# Type 5827 Electric Actuator

Great Functionality at a Low Price

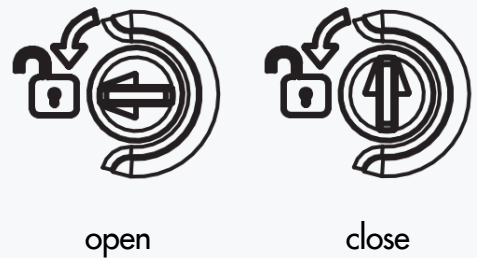


## COMPATIBILITY WITH TYPES 5824 AND 5825 ACTUATORS

- Interchangeable
- Identical functions
- Improved features added

## INNOVATIVE OPENING MECHANISM

- Easy and quick mounting
- One quarter-turn fastener instead of cover screws



# Type 5827 Electric Actuator

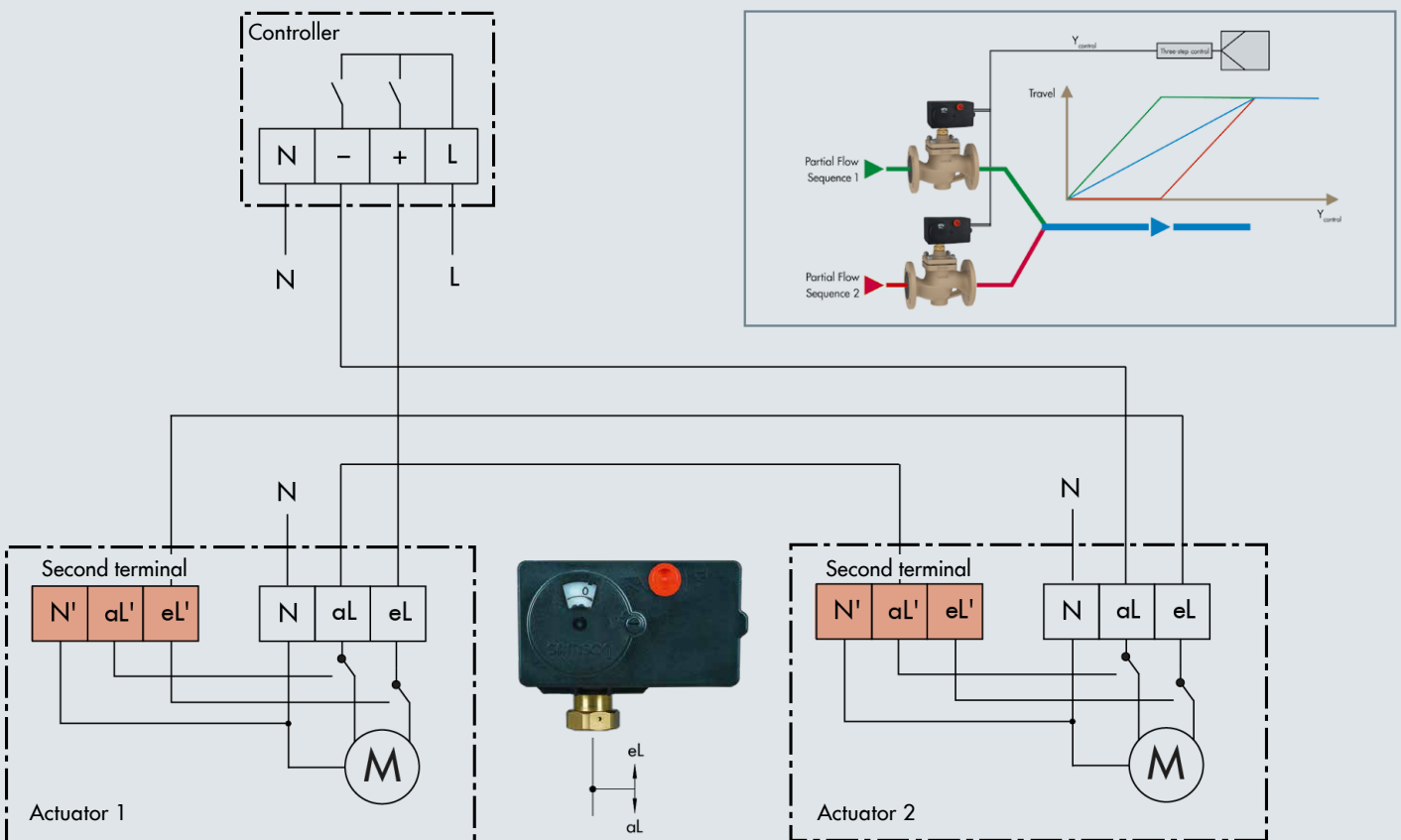
## Great Functionality at a Low Price



### Integrated end position switches wired to the terminals as standard

e.g. for split-range operations

A practical solution for systems operating across wide load ranges involves connecting a valve with a low  $K_V$  coefficient to handle small loads in parallel with a valve with high  $K_V$  coefficient to handle the rated load. The actuators are controlled by a single three-step control signal, which initially causes the valve with the low  $K_V$  coefficient to stroke to its maximum travel. As soon as the actuator reaches its end position, a second control valve can be controlled with this actuator's signal. The actuator of the second valve is connected to the new second terminal block.



### SAMSON AKTIENGESELLSCHAFT

Weismüllerstraße 3 · 60314 Frankfurt am Main, Germany  
 Phone: +49 69 4009-0 · Fax: +49 69 4009-1507  
 E-mail: samson@samsongroup.com  
 Internet: www.samsongroup.com